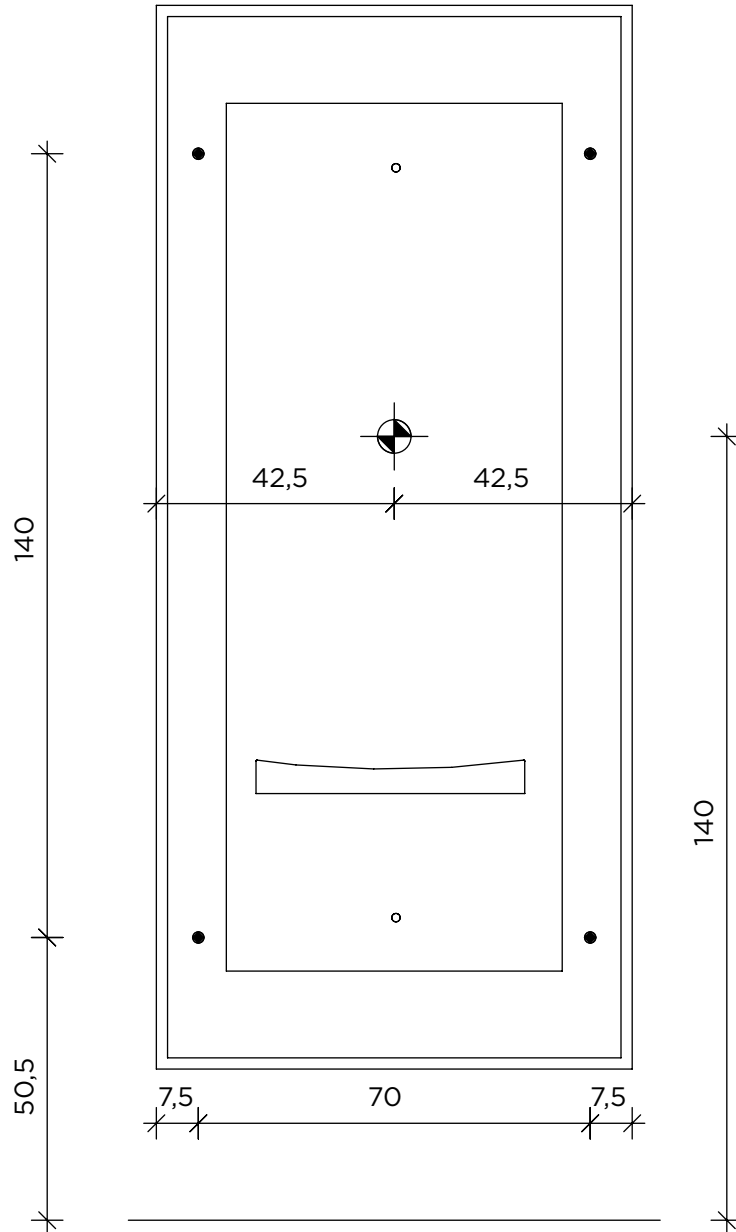
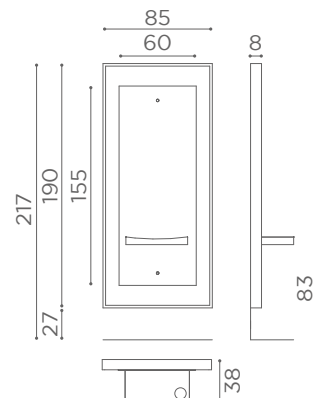
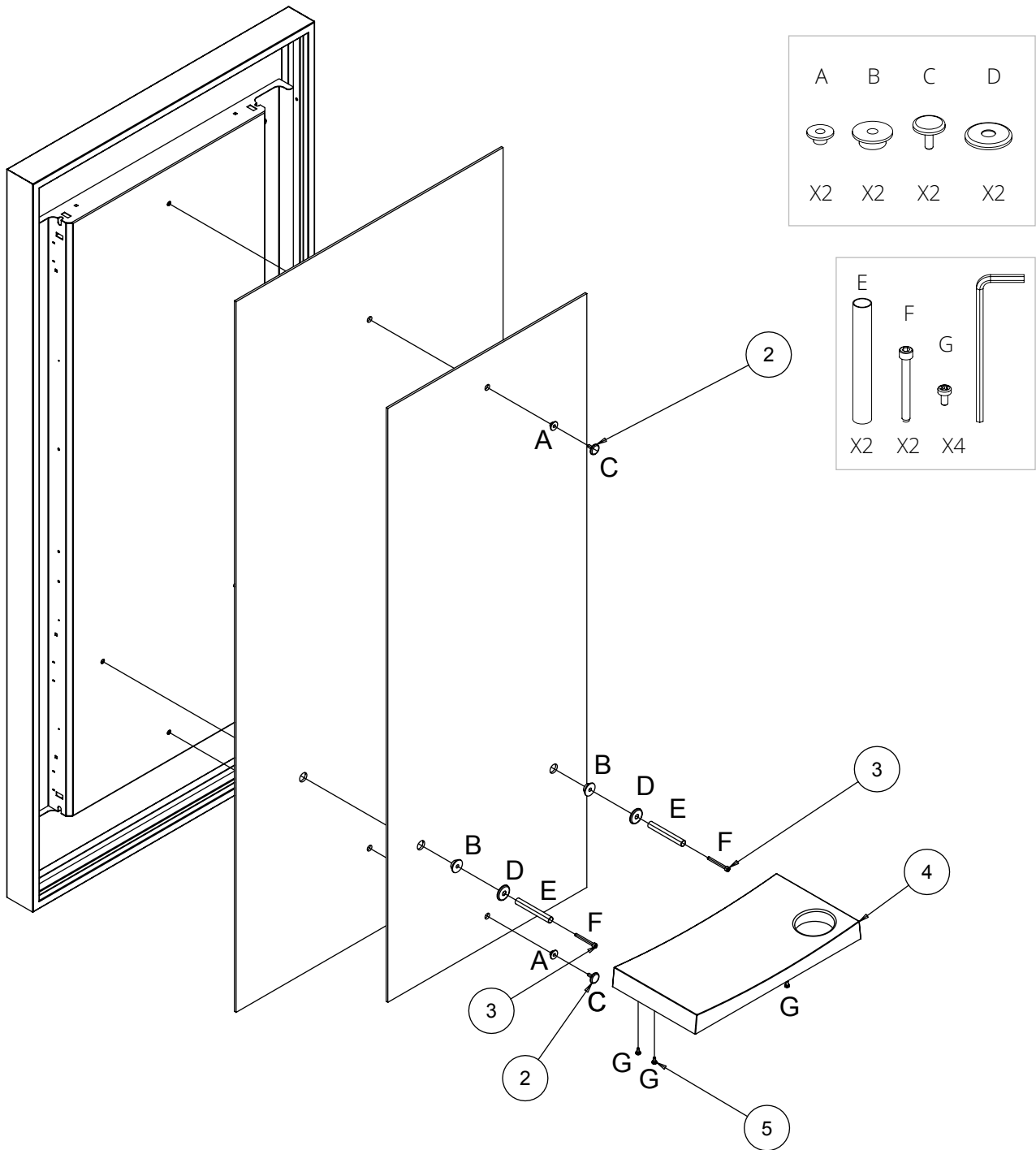


● Fissaggio a parete / Wall fixing
220-240VAC 50/60Hz 62W

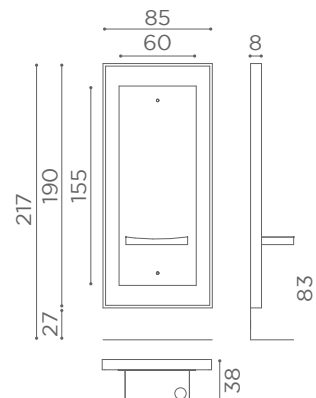


MI/150-06

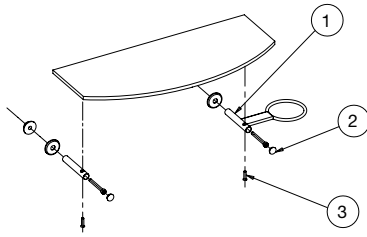




MI/150-06



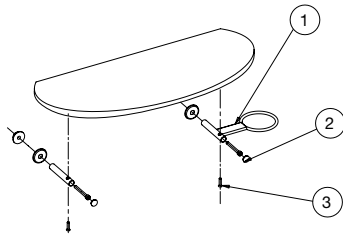
COMBINATIONS



GLASS -01

FIJI
MI/030
LYON
MI/050
LYON ISLAND
MI/052
PLATINUM
MI/150
PRECIOUS
MI/320
LUNAR

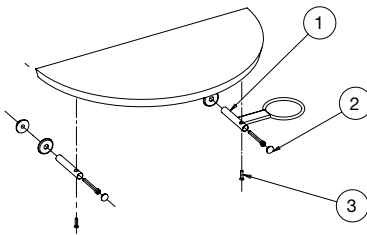
MI/370
LUNAR ISLAND
MI/372
COSMOS
MI/420
COSMOS ISLAND
MI/422
SPACE
MI/440
TREASURE
MI/450



BLACK
GLASS -02

FIJI
MI/030
LYON
MI/050
LYON ISLAND
MI/052
PLATINUM
MI/150
PRECIOUS
MI/320
LUNAR

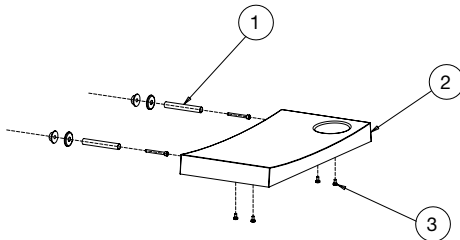
MI/370
LUNAR ISLAND
MI/372
COSMOS
MI/420
COSMOS ISLAND
MI/422
SPACE
MI/440
TREASURE
MI/450



ROUND
ALUMINIUM -05

FIJI
MI/030
LYON
MI/050
LYON ISLAND
MI/052
PLATINUM
MI/150
PRECIOUS
MI/320
LUNAR

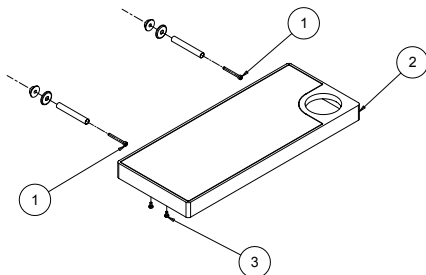
MI/370
LUNAR ISLAND
MI/372
COSMOS
MI/420
COSMOS ISLAND
MI/422
SPACE
MI/440
TREASURE
MI/450



ALUMINIUM -06

FIJI
MI/030
LYON
MI/050
LYON ISLAND
MI/052
PLATINUM
MI/150
PRECIOUS
MI/320
LUNAR

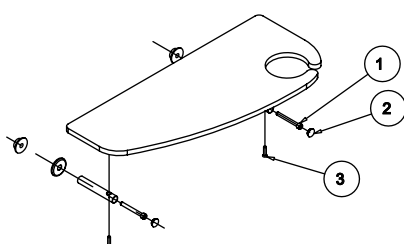
MI/370
LUNAR ISLAND
MI/372
COSMOS
MI/420
COSMOS ISLAND
MI/422
SPACE
MI/440
TREASURE
MI/450



ALUMINIUM
+ MIRROR -07

FIJI
MI/030
LYON
MI/050
LYON ISLAND
MI/052
PLATINUM
MI/150
PRECIOUS
MI/320

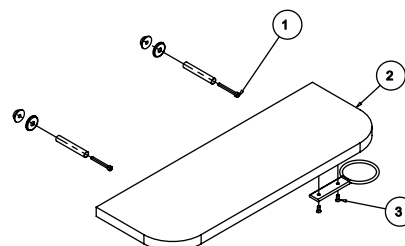
LUNAR
MI/370
LUNAR ISLAND
MI/372
COSMOS
MI/420
COSMOS ISLAND
MI/422
SPACE
MI/440



GLASS -02

NEW YORK
NEW YORK ISLAND

MI/520-10
MI/522-10



VINTAGE
WOOD

NEW YORK
NEW YORK ISLAND

MI/510-09
MI/512-09