

# CAPITAL

HAIR & BEAUTY

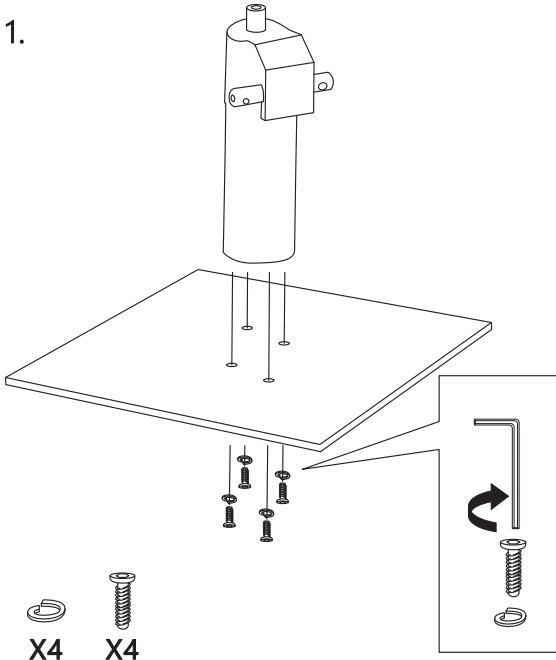
## Kingsbury Chair

### Installation Sheet

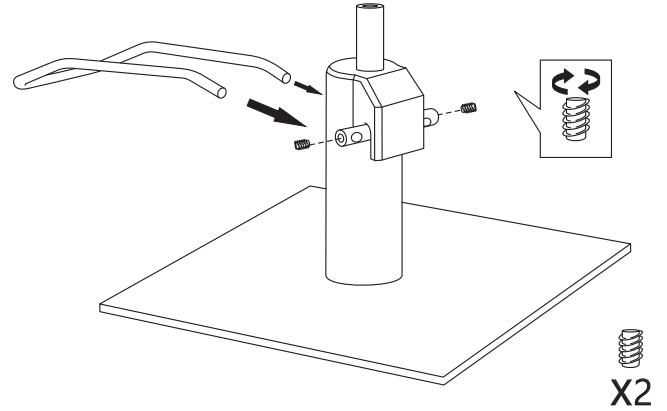


**Attention:**  
Line up all hole and  
screw before tighten  
up all the screw.

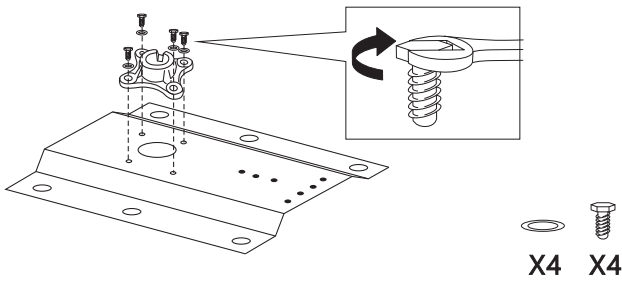
Step 1.



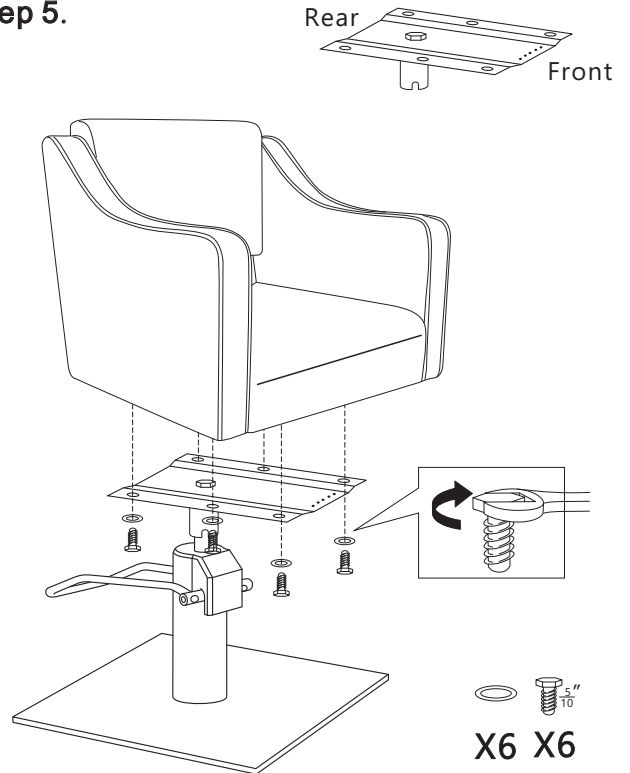
Step 2.



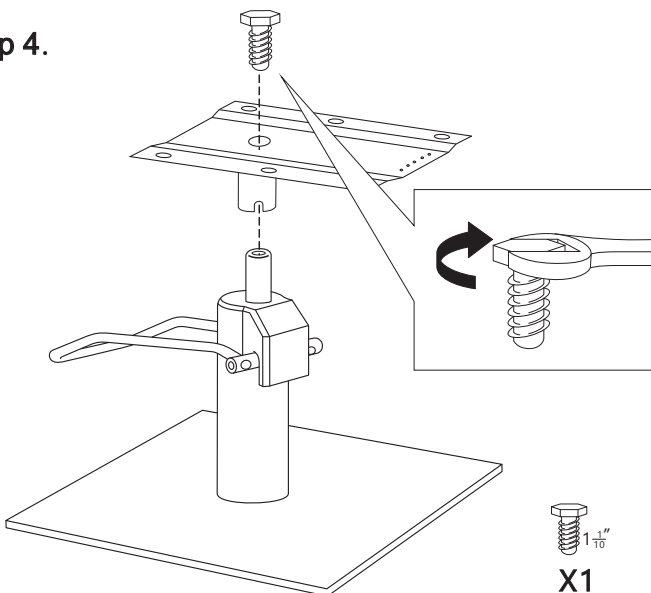
Step 3.



Step 5.



Step 4.



### Caution!

Before moving the chair. You need to make sure the connector Between the chair and the hydraulic pump is Firmly fitted. (Sit on the chair with your body weight Bounce up and down several time until is tight )

If lifting the chair only do so from the hydraulic pump and base do not lift the chair from the seat section.