

# CAPITAL

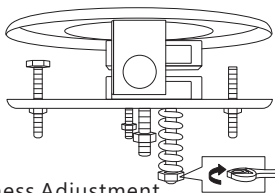
HAIR & BEAUTY

## Holborn Wash Unit

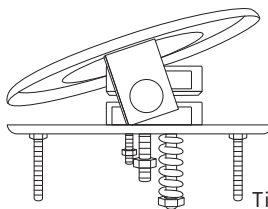


Attention:

Line up all hole and screw before tighten up all the screw.

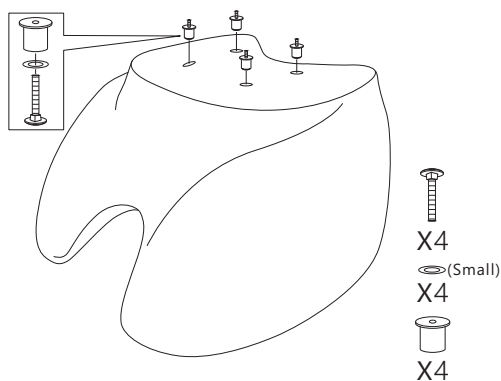


Tilt Tightness Adjustment

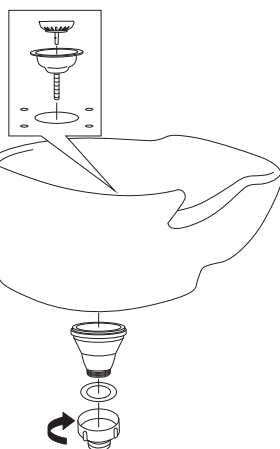


Tilting Angle Adjustment

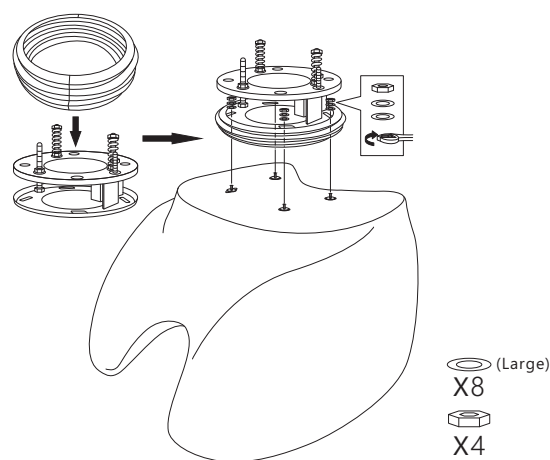
Step 1.



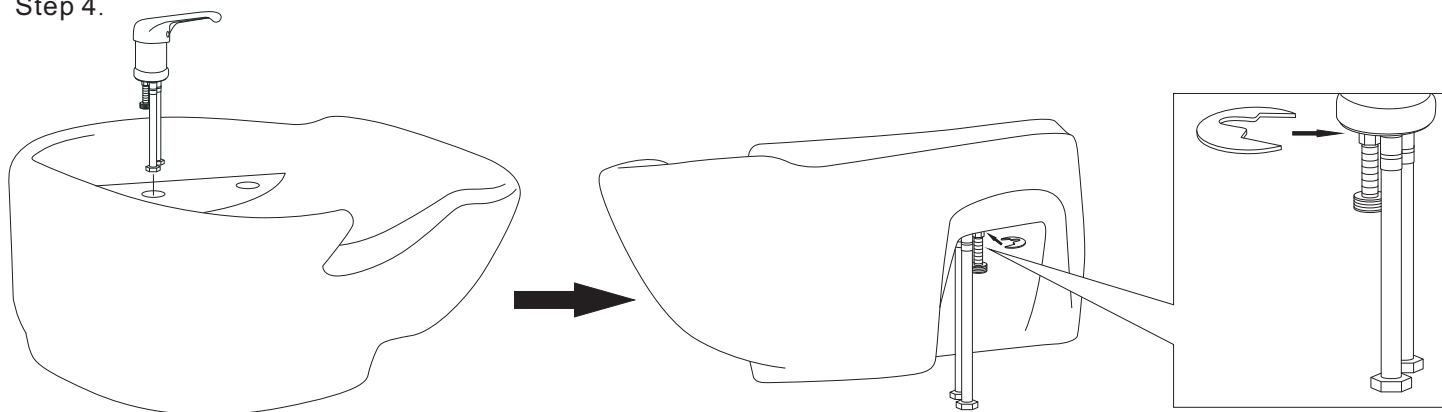
Step 2.



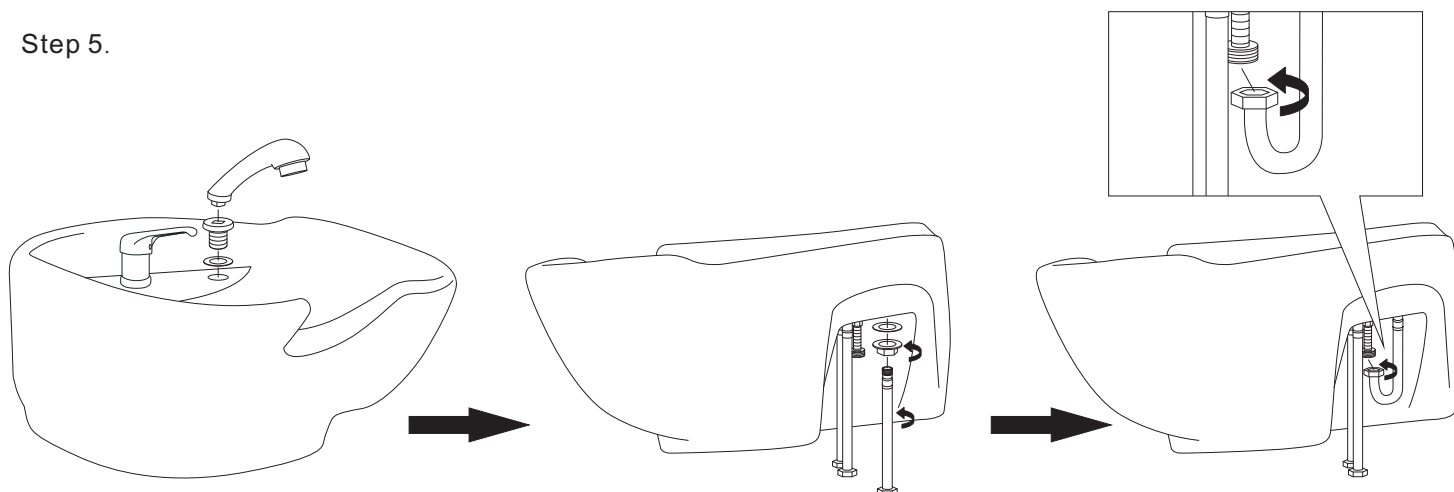
Step 3.



Step 4.



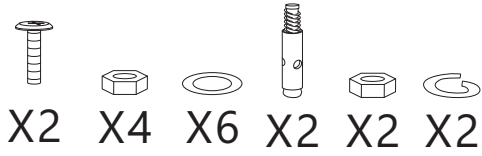
Step 5.



# CAPITAL

HAIR & BEAUTY

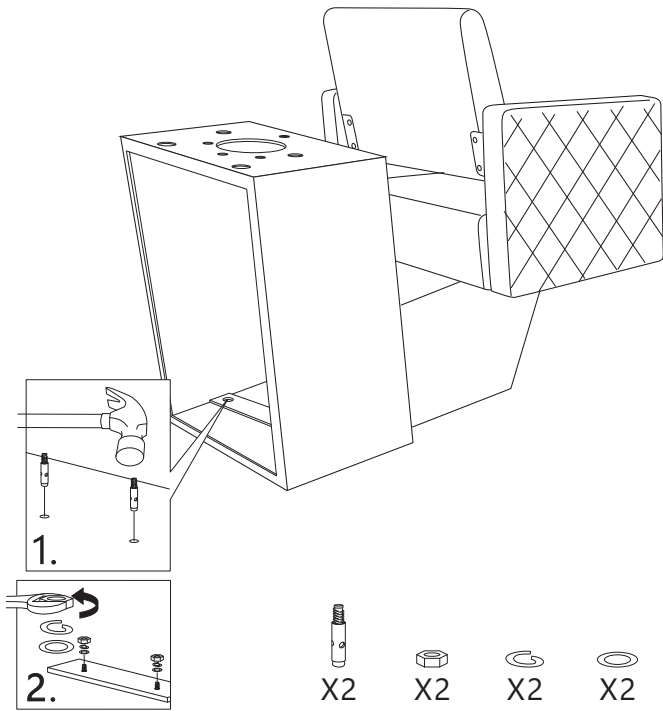
## Holborn Wash Unit



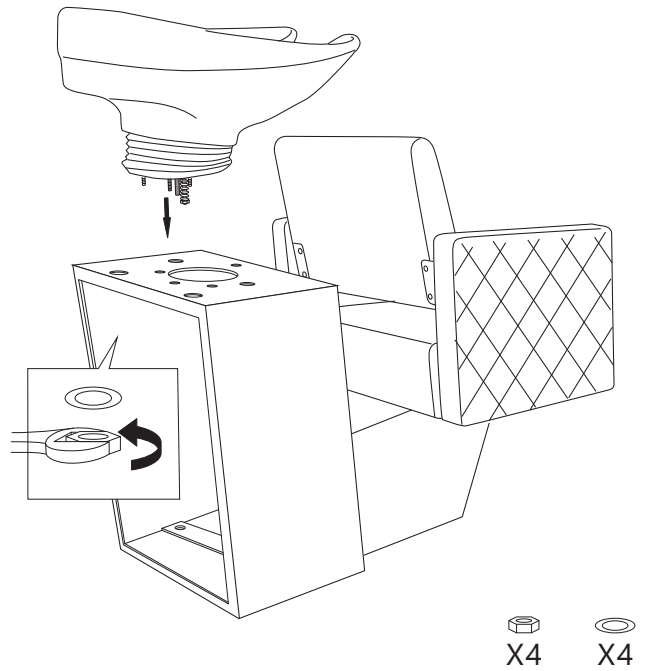
Attention:

Line up all hole and screw before tighten up all the screw.

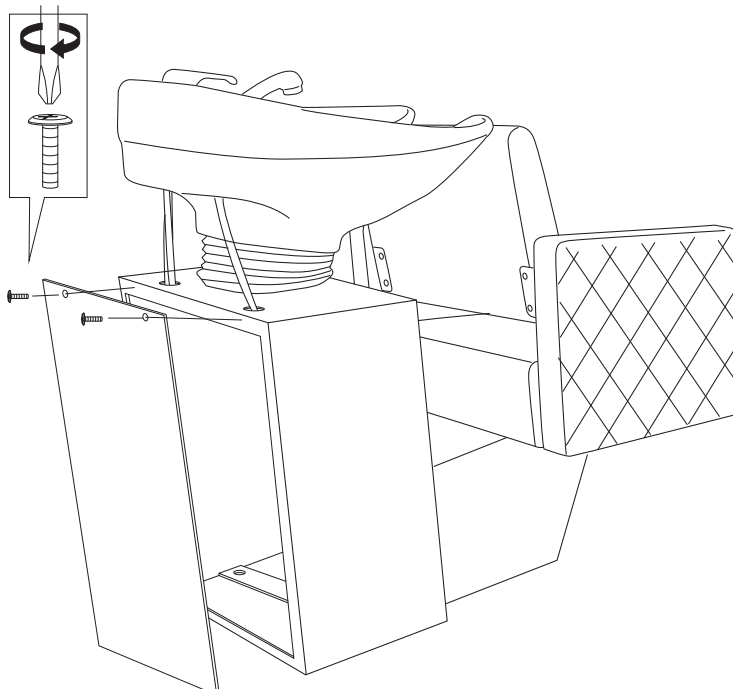
Step 1.



Step 2.



Step 3.



# CAPITAL

H A I R & B E A U T Y

## Holborn Wash Unit Plumbing Specification

### FLOOR FIXING AND WASTE PIPE HOLES

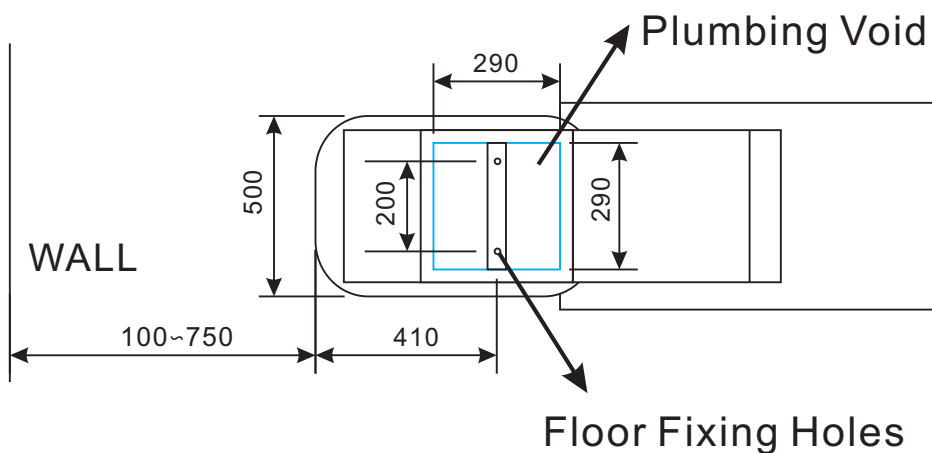
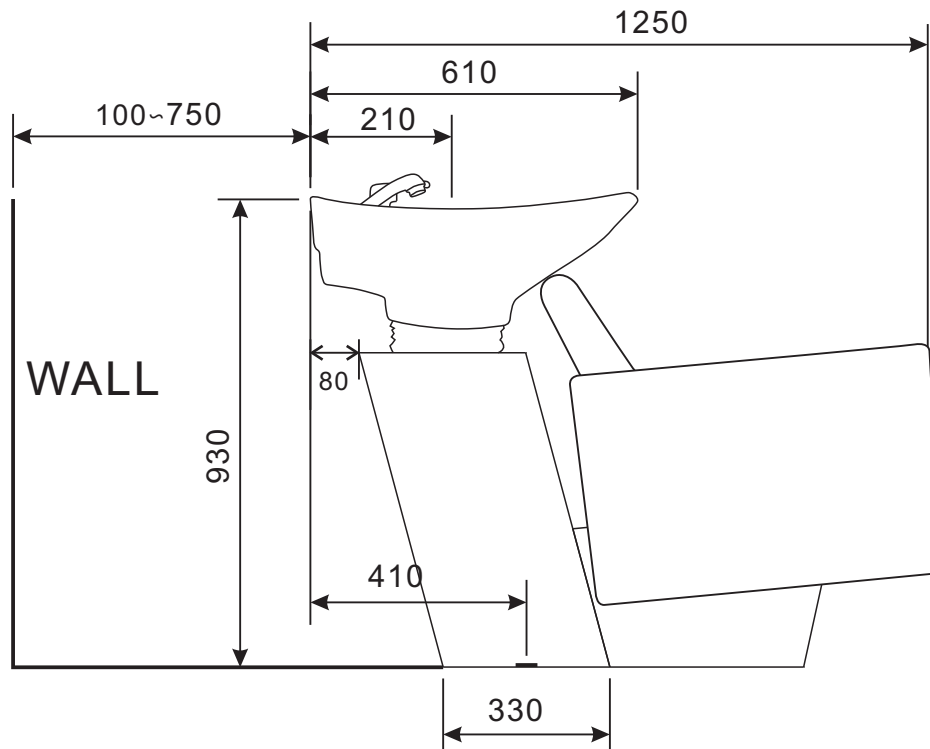
The Wash Unit is fixed to the floor via 2 fixing points in the base moulding.

Option1: The pedestal can be drilled anywhere within the 2 side plumbing access points to allow water & waste pipes to enter / exit the Wash Unit.

Option2: Water & waste pipes to enter / exit the wash unit from the bottom of the pedestal.

Option3: water & waste pipes to enter / exit the wash unit from the back of the pedestal.

Please see Basin Installation Instructions.



# CAPITAL

H A I R & B E A U T Y

## Holborn Wash Unit Plumbing Specification

### FIXING MULTIPLE WASH UNIT

When fitting more than one wash unit it is recommended there is a 100mm gap between wash unit.

