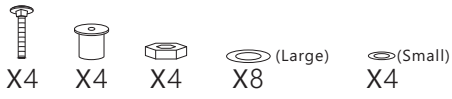


CAPITAL

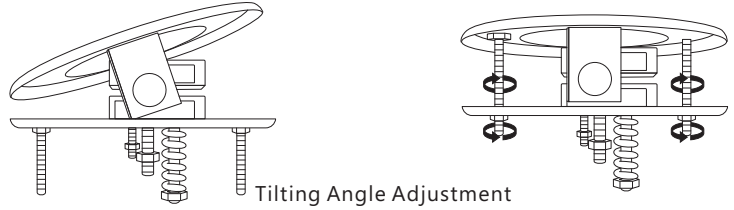
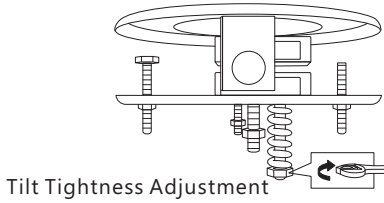
HAIR & BEAUTY

Byron Wash Unit

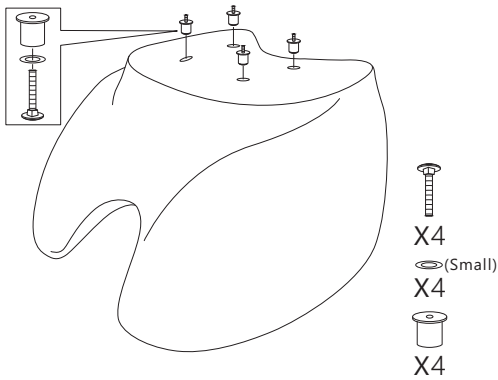


Attention:

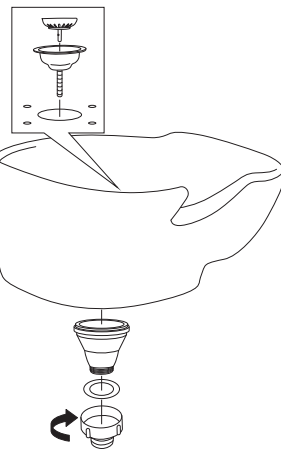
Line up all hole and screw before tighten up all the screw.



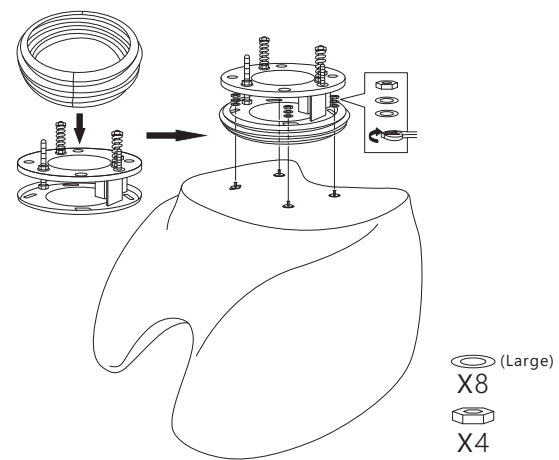
Step 1.



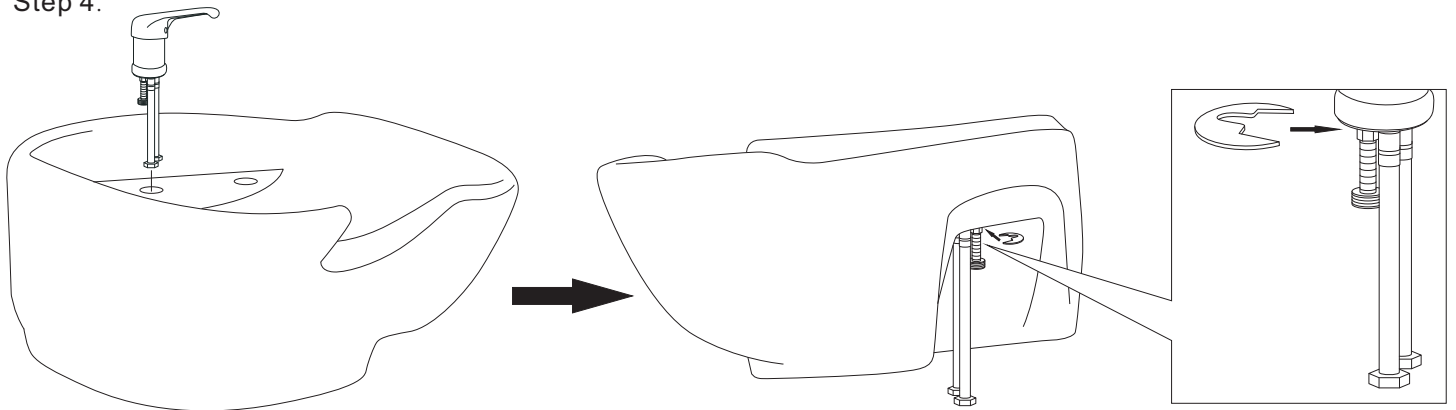
Step 2.



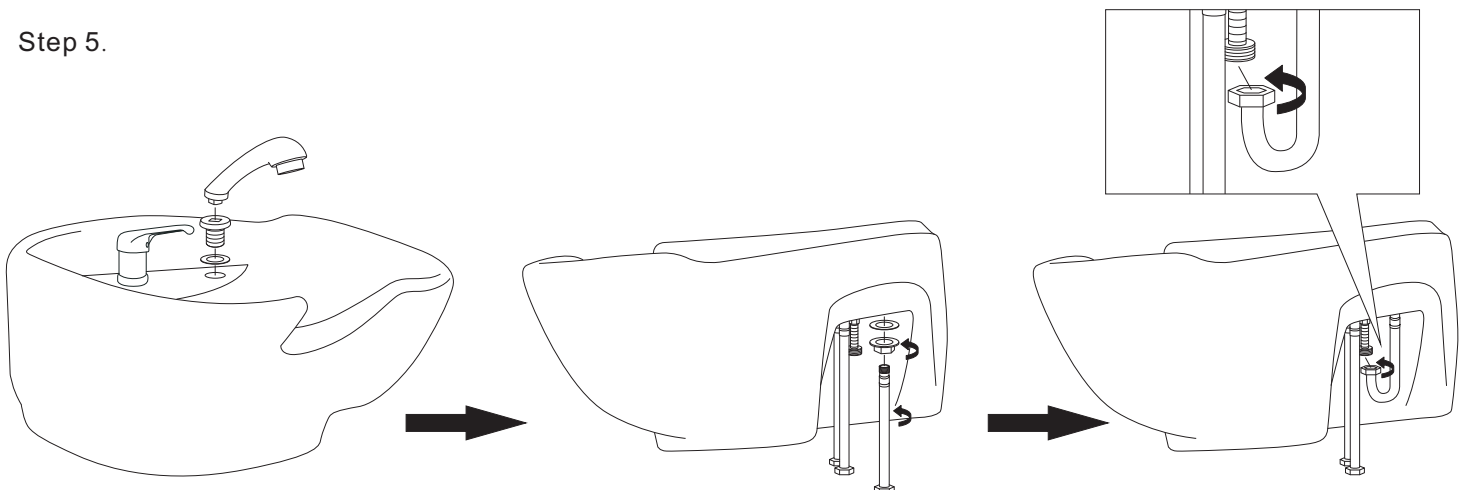
Step 3.



Step 4.



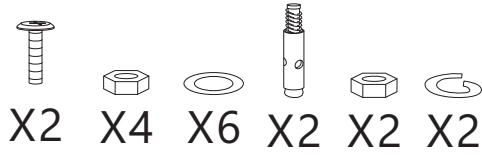
Step 5.



CAPITAL

HAIR & BEAUTY

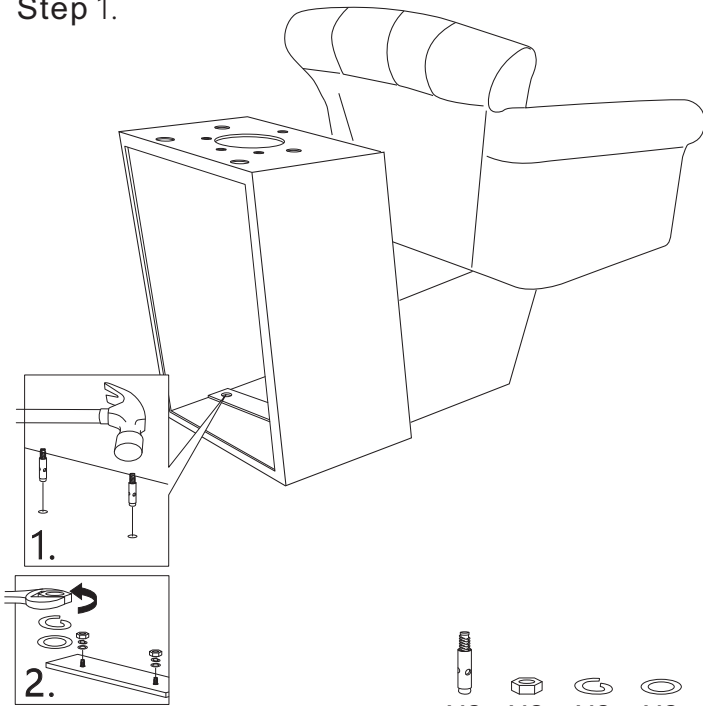
Byron Wash Unit



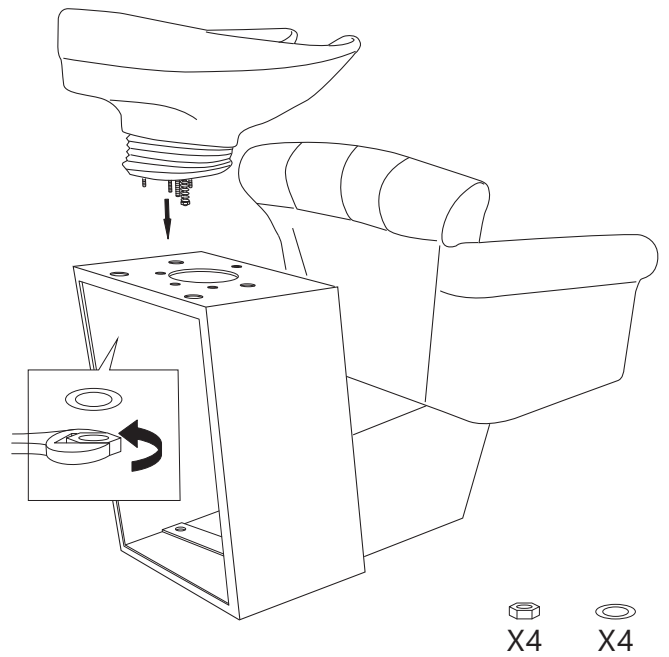
Attention:

Line up all hole and screw before
tighten up all the screw.

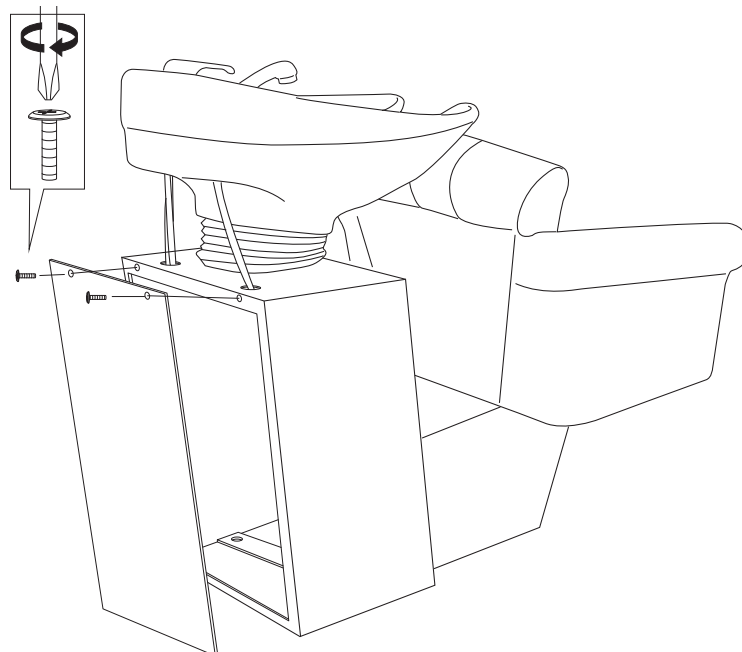
Step 1.



Step 2.



Step 3.



CAPITAL

H A I R & B E A U T Y

Byron Wash Unit Plumbing Specification

FIXING MULTIPLE WASH UNIT

When fitting more than one wash unit it is recommended there is a 100mm gap between wash unit.

