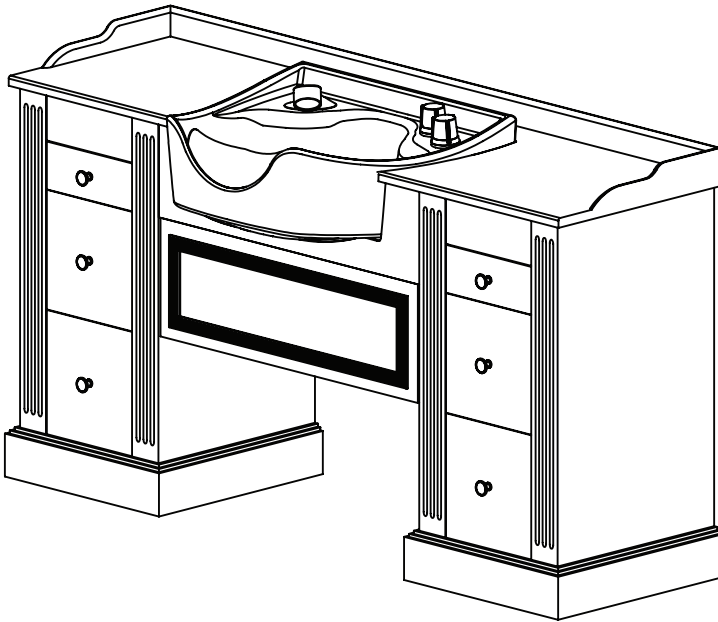


# AUBREY with MAJOLICA PORTO

## Operation / Installation manual



### Contents

Preparation before Installation (Specification Drawings)	2
Usage condition	3
Parts List / Accessory Parts	4
Installation Procedure	5
Safety Precautions	8
Precautions for Use	11
Care and Maintenance	14

#### To the installer

- The instructions should be thoroughly read and understood before installation to ensure that AUBREY is installed correctly.
- After installation, give these instructions to the customer.

#### To the customers

- Customers must ask professional to install AUBREY.
- Customers must not install AUBREY by themselves.
- Customers must store these instructions in a safe place so as not to lose them.
- \* The actual shape of AUBREY and the images and dimensions listed in these instructions may be modified and are subject to change without notice.

- The precautions listed here are to ensure that AUBREY can be installed safely, and to prevent any danger or risk to the person installing AUBREY or those around them. All of these precautions are important for safety. Takara Belmont is not responsible for any damage or risk to the person installing AUBREY or those around them due to accidents if AUBREY is installed without adhering to the precautions.

#### Caution

If AUBREY is installed after ignoring this symbol, "there is the risk of light or moderate injury or physical damage".

Note : Plumbing should be performed by a qualified technician and should meet all national and local plumbing codes and ordinances. It is the responsibility of purchaser and/or plumber to conform to national and local codes and ordinances. Takara Belmont does not take any responsibility or liability for plumbing and installation.

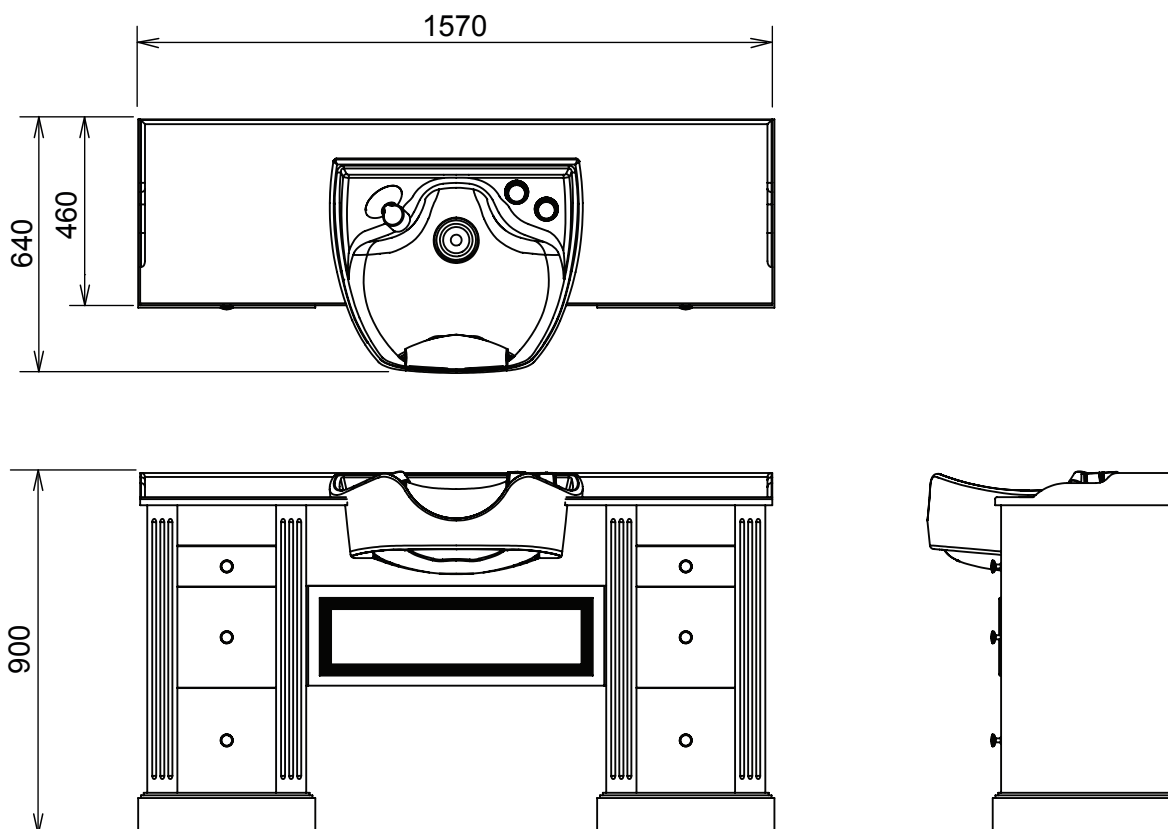
# Preparation before Installation

- Prior to installation, determine the installation position of the product referring to the following drawings.
- MAJOLICA PORTO Installation Instruction should be thoroughly read and understood before use.
- Raise the drain pipe, water supply pipe, hot water supply pipe referring to MAJOLICA PORTO Installation Instruction and the following plumbing layout.

## <Dimensions>

■ AUBREY with MAJOLICA PORTO

[mm]

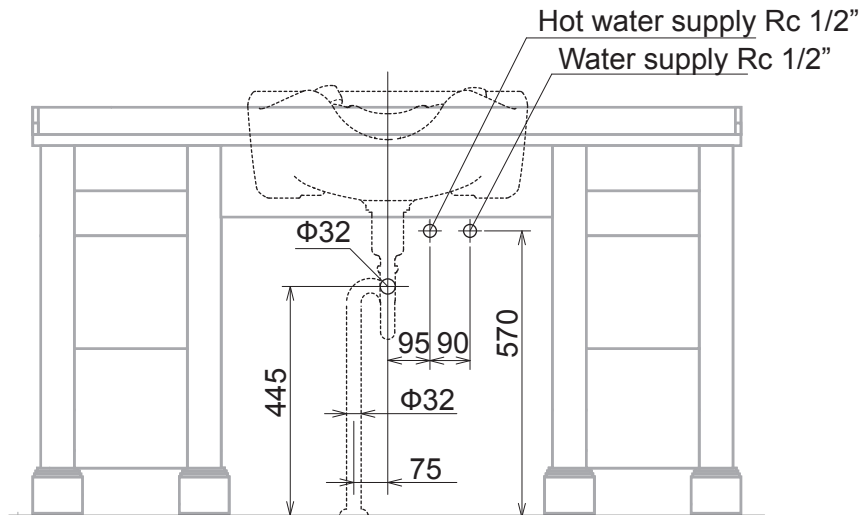


• Dimensions above may vary in size slightly.

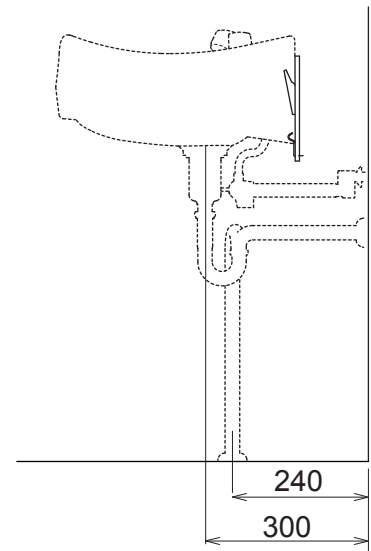
Weight: 110 kg

## <Plumbing layout>

■ Front View



■ Side View [mm]

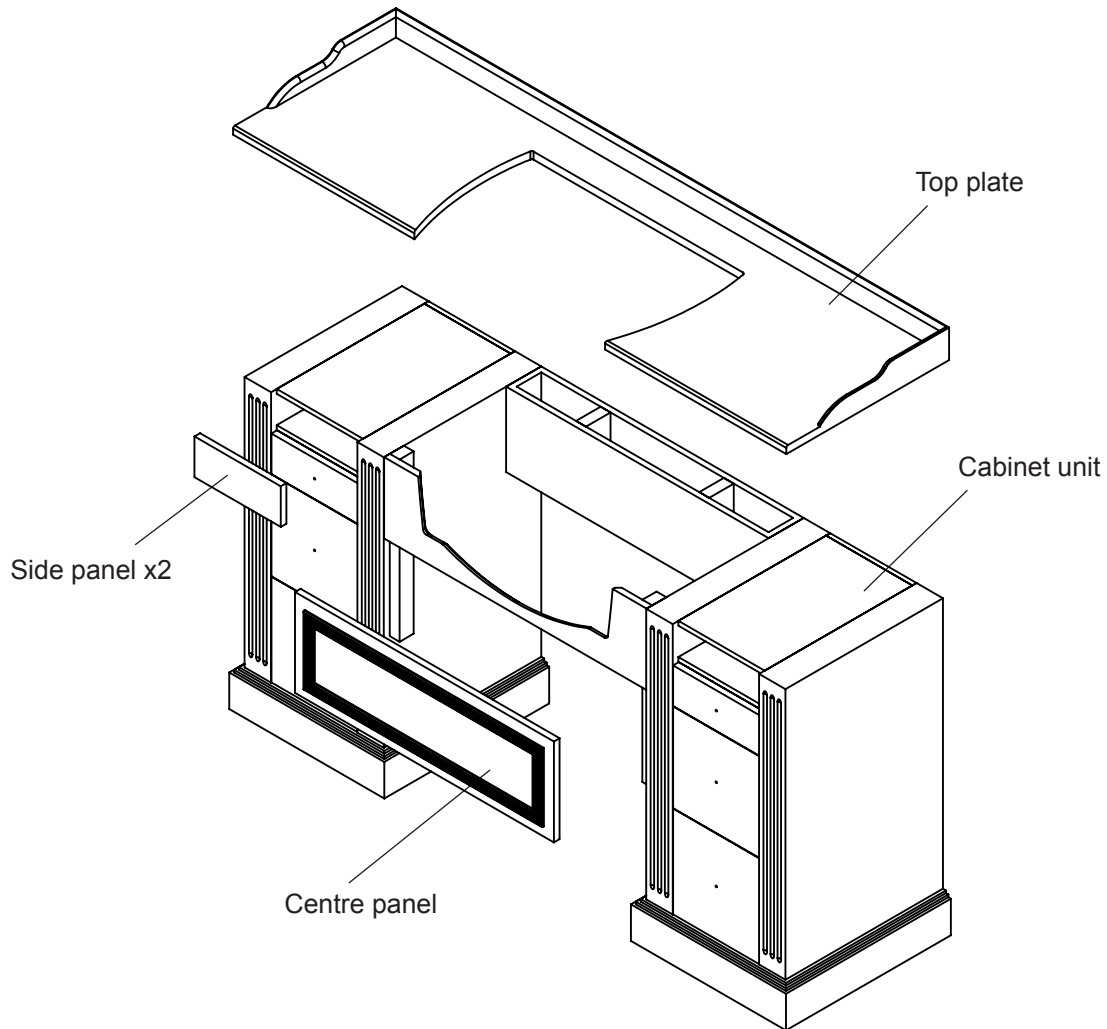


## Usage Condition

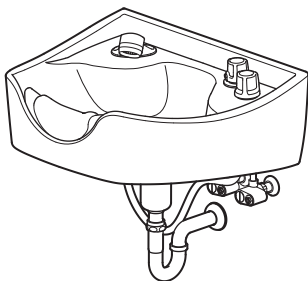
### ■ Hot water supply and water supply conditions

Water used	<ul style="list-style-type: none"> <li>•Public water supply (do not use non-drinkable well water or water that contains rust or sand.)</li> <li>•If the water hardness is 80 ppm or higher, install a water softener to prevent the buildup of scale within the basin body. Aeration may be minimal when using shampoo even if drinkable well water is used, so a water softener should be installed.</li> </ul>
Hot water supply, water supply pressure	<ul style="list-style-type: none"> <li>•Use a pressure between 0.1 and 0.4MPa(1 - 4kgf/cm<sup>2</sup>).</li> <li>•Set the water supply pressure ≥ hot water supply pressure.</li> <li>•Set the difference between the hot water supply pressure and water supply pressure to within 0.2MPa(2kgf/cm<sup>2</sup>)</li> </ul>
Hot water temperature into the product	<ul style="list-style-type: none"> <li>•Set the hot water temperature to 80 °C or less.</li> <li>•Set the temperature 10 °C or higher than the shower temperature used.</li> </ul>
Water boiler	<ul style="list-style-type: none"> <li>•Do not use steam with the hot water supply</li> </ul>

# Parts List / Accessory Parts

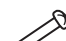





- Majolica porto with double tap  
EX-SB 2\*/EA-SB P2



## <Accessory parts>

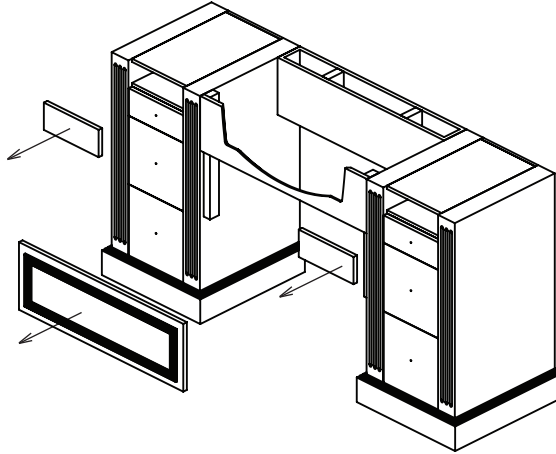
 M4 screw(for Handle) x 6

 M6 hex head screw x 2  
 M6 nut x 2  
 Washer x 2  
 (for Basin bracket)

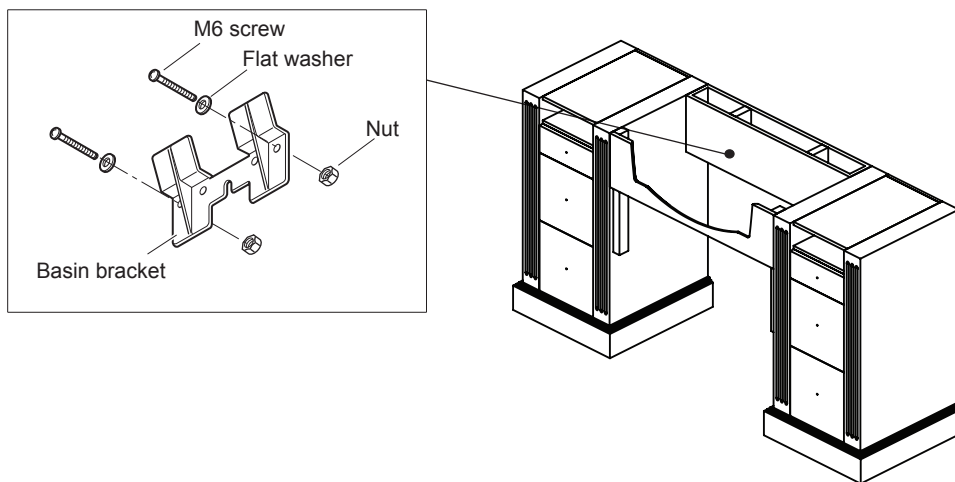
 Handle x6

# Installation Procedure

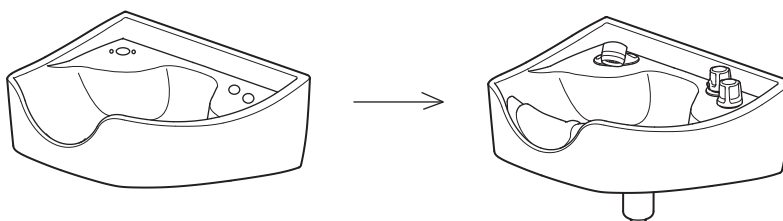
1. Before installation, with reference to “MAJOLICA PORTO Installation instruction”, raise the water supply pipes and drainpipe.
2. Position Cabinet unit into required position carefully.  
Remove Centre panel and Side panels then store them in safe location to re-attach later.



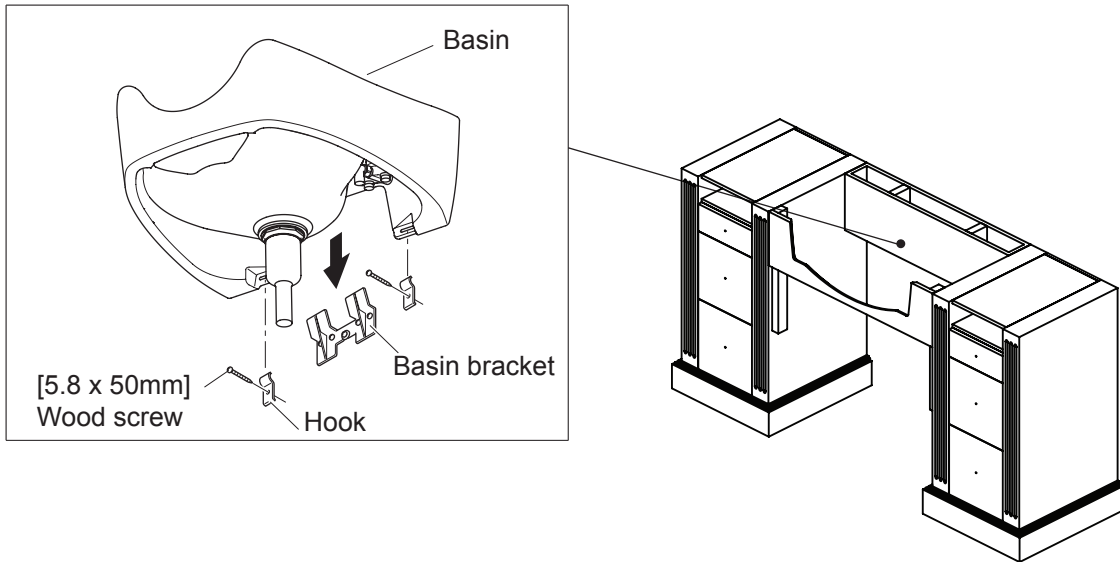
3. With reference to “MAJOLICA PORTO Installation instruction”, attach the Basin bracket to the Cabinet unit.  
(Do not use “5.8x63 wood screws included in the package of Majolica porto.  
Please use “M6 screw, nut and washer included in the package of Cabinet unit. )



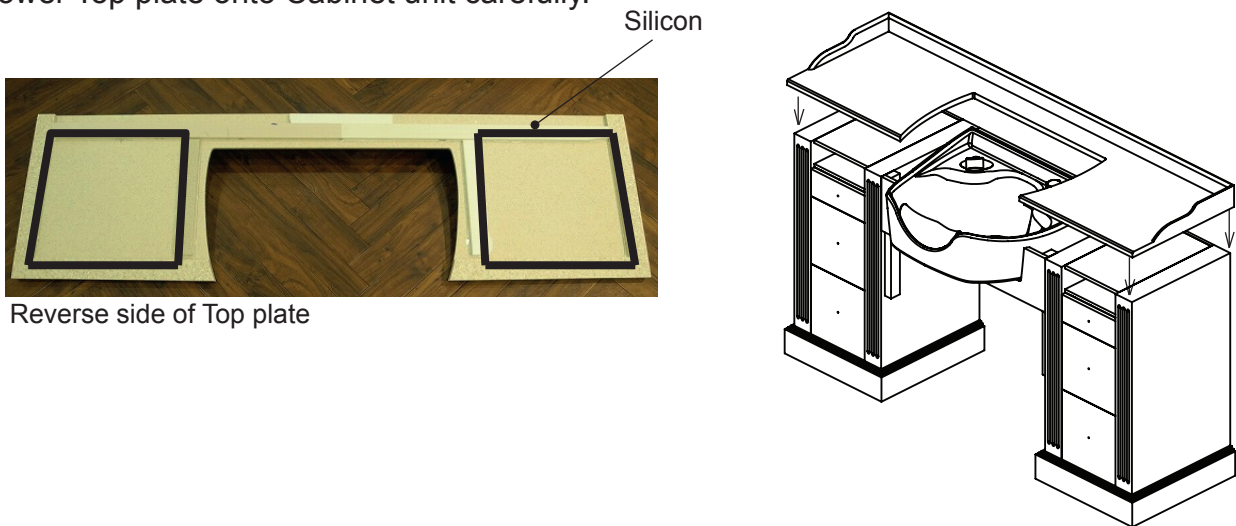
4. With reference to “MAJOLICA PORTO Installation instruction”, attach the thermostat, water controller, shower hose, neck base, drain housing to Majolica porto basin.



5. Lower the basin onto Cabinet unit carefully.  
Fit the basin into the basin bracket. Then fix it with the hooks.

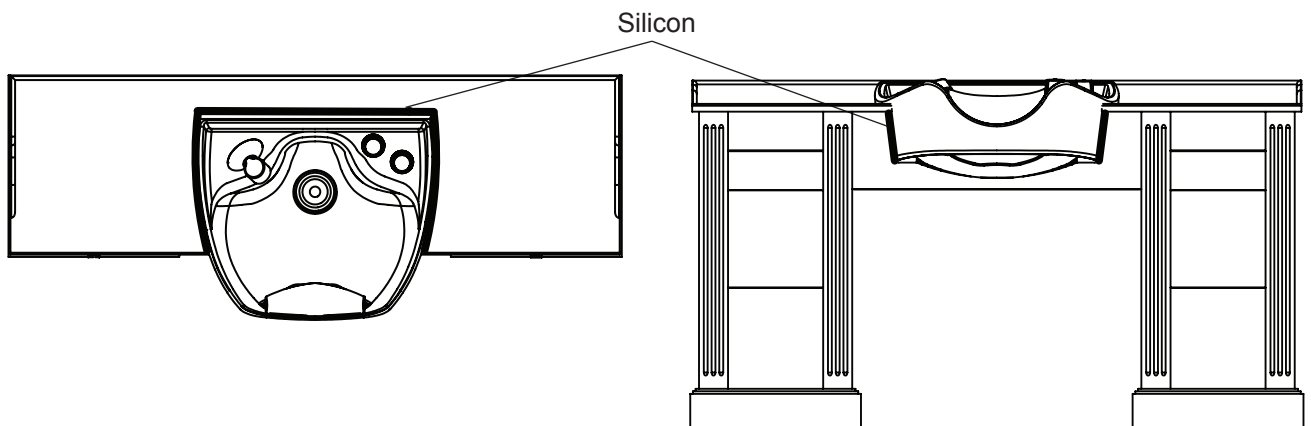


6. Apply the silicon on the reverse side of Top plate as the photo below. (Silicon is not provided)  
Lower Top plate onto Cabinet unit carefully.

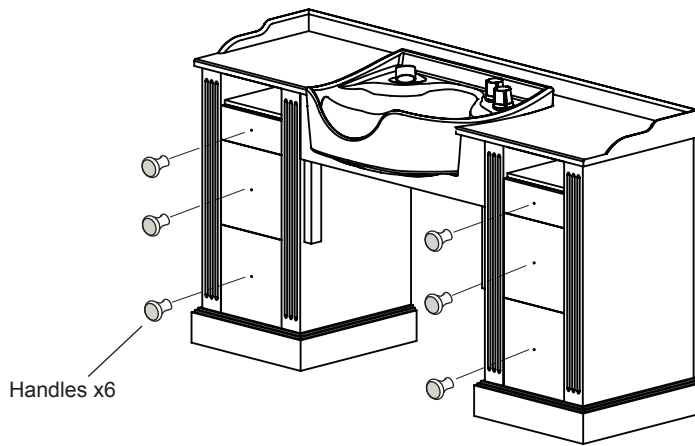


7. Pipe the water supply pipe, hot water supply pipe, drain pipe with reference to  
“MAJOLICA PORTO Installation Instruction”.  
Then fix the shower hose.

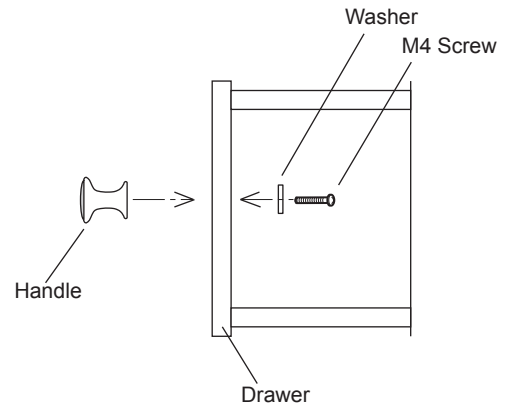
8. Use silicon to seal around basin. (Silicon is not provided)  
Brown colour silicon is recommended for the boundary between wood surfaces and the basin.



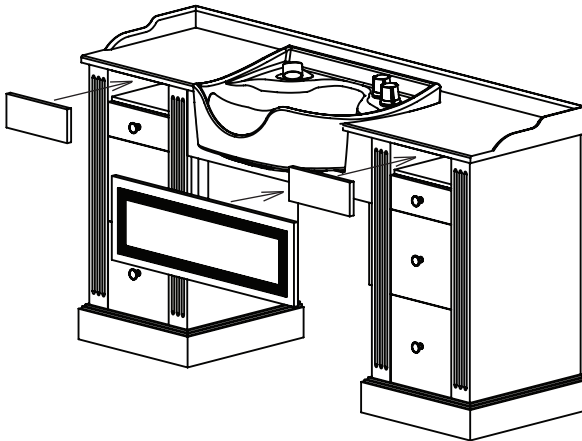
9. Fix Handles to each drawers.



<Top view>



10. Re-attach Side panels and Centre panel to Cabinet unit.  
Unit complete.



# Description of Warning Symbols








## ■ Before using this product

The "Safety Precautions", "Precautions for Use" should be thoroughly read and understood before use.




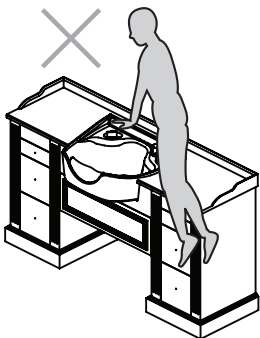
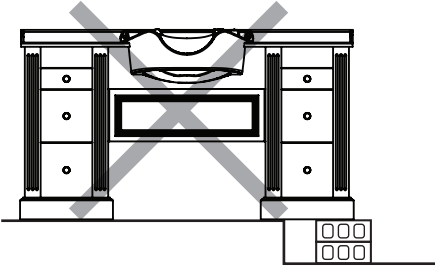
## ■ Precautions listed here

The precautions listed here are to ensure that this product can be used safely, and to prevent any danger or risk to the person using this product or those around them.  
 These precautions are important for ensuring safety. Adhere to these precautions at all times. Takara Belmont is not responsible for any damage or risk to the person using this product or those around them due to accidents if this product is used without adhering to the "Safety Precautions", "Precautions for Use".  
 In this case, the person failing to adhere to the "Safety Precautions", "Precautions for Use" will be responsible for any damage or risk incurred. Detailed descriptions of symbols are provided below.  
 Read and understand these symbols thoroughly before reading this manual.

## ■ Symbols

 <b>Warning</b>	If this symbol is ignored and the product is used, "there is the risk of death or serious injury to the user".
 <b>Caution</b>	If this symbol is ignored and the product is used, "there is the risk of light or moderate injury or physical damage".
<b>Note</b>	Description of "ideal points to adhere to for safety".
 Common danger, warning and caution notifications  Guidance or instruction regarding common user actions  Common prohibited actions	 Notification of high temperature warning CAUTION Hot water  Prohibited disassembly or repairs/modifications Disassembly Prohibited

# Safety Precautions (Adhere to these precautions at all times)

 <b>Warning</b>	
 <b>Do not climb on this product.</b> Do not climb on, pull or apply excessive force to parts such as the basin, top plate. Failure to follow this instruction may damage the product or cause it to fall over.	 <b>Install on a stable area</b> Install the main body on a flat, firm floor, and fix it securely. Failure to follow this instruction may cause the main body to fall over.
	



## Warning



### **Adjust the water temperature while checking the temperature by hand.**

When adjusting the temperature of the water, reduce the volume of water, point the shower head away from the customer and check the temperature by hand. Take care when doing so, as hot water may come out of the shower head.



CAUTION  
Hot water

### **Do not use hot water (boiling water) of 60 °C or higher.**

Using hot water of 60 °C or higher may deform or damage the parts such as the basin, shower head and water stop knob.



### **Return the temperature control knob to an appropriate position after using hot water.**

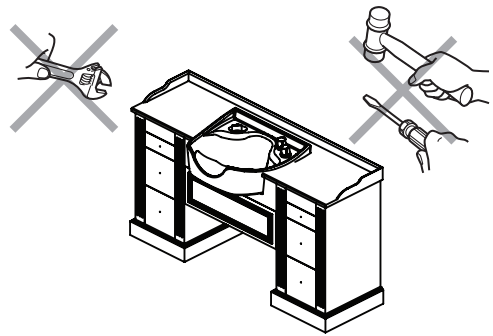
- Return the temperature control knob to an appropriate position after using hot water. Continuing to use the hot water with the knob in the hot position may cause burns.
- Using other equipment that share the same water/hot water supply source at the same time may cause unstable water temperature. If multiple equipment are to be used, move the temperature control knob slowly to adjust the water temperature.



Disassembly  
Prohibited

### **Disassembly and repairs/modifications are prohibited.**












Disassembly, repairs and modifications must not be conducted by people other than qualified repair technicians. Failure to follow this instruction may cause electrocution, fire or abnormal operation, leading to injury.



### **Do not lean on the basin**

Leaning on the basin may cause the basin to fall over. Also, coloring dyes on the neck cushion or basin may stain the user's clothes.

 **Caution**

<p> <b>Do not hit the unit with objects.</b> Do not hit the unit with hard objects. Failure to follow this instruction may cause deformation or damage to the unit.</p>	<p> <b>Do not touch the hot water supply pipe or mixing pipe.</b> The hot water supply pipe or mixing pipe may become very hot. Do not touch the pipes directly.</p>
<p> <b>Do not drink the hot water.</b> This product is designed for washing hair. Do not drink the hot water.</p>	<p> <b>Do not use outdoors.</b> This product is designed for indoor use. Do not install this product outdoors or within a vehicle. Be sure to only use this product inside barbers or hair salons. Failure to follow this instruction may cause malfunctions or damage to the product.</p>
<p> <b>Do not use this product if the coating is peeling.</b> Replace the water taps (water stop knob, temperature control knob) or step if the coating is peeling. continuing to use this product when the coating is peeling may cause injury</p>	<p> <b>Only use this product for its intended purpose and do not use it for non-hairdressing work.</b> This product is an industrial product designed for barbers and hair salons. Only use this product for its intended purpose and do not use it for non-hairdressing work.</p>
<p> <b>Pay attention when cleaning the basin.</b> Failure to take this precaution may result in injuries by the sink outlet fixture in the basin.</p>	<p> <b>Do not use the product in a place where freezing is expected.</b> Failure to take this precaution may result in breakage of parts, thus resulting in water leaks. Repair of breakage due to freezing will result in fees being charged even during the warranty period. If freezing is expected, maintain the room temperature at 0°C or above by using a heater.</p>
<p> <b>Do not spray areas other than the basin with water.</b></p> <ul style="list-style-type: none"> <li>● Take care not to spray areas other than the basin with water. If water does come in contact with areas other than the basin, wipe them dry as soon as possible. Water entering the main body may cause malfunctions or a ground leakage fire.</li> <li>● Take care not to allow water to drip on the floor. If water does drip on the floor, wipe it dry as soon as possible. Failure to follow this instruction may damage the floor, or cause water leakage.</li> </ul>	
<p> <b>Do not turn the water fully on with the shower head in the shower head bracket.</b> Failure to follow this instruction may cause water to spill out of the basin, covering the customer with water. When turning the water on with the shower head in the shower head bracket, check the surrounding area and turn the water stop knob slowly.</p>	
<p> <b>Do not subject the unit to shocks.</b> Do not subject the unit to shocks. Failure to follow this instruction may cause damage, leading to injury.</p>	

# Precautions for Use

## ⚠ Caution



### Always wipe the floor clean if it is wet.

Wipe the floor as soon as possible if it is wet after shampooing. Failure to follow this instruction may damage the floor or cause degradation and malfunctions to parts in contact with the floor. Wet floor may cause falling or water leakage to downstairs leading to an accident.



### Do not use peppermint or aroma oil.

Do not use peppermint or aroma oil containing menthol. Failure to take this precaution may damage the resin parts, such as the showerhead, showerhead receptacle, shower hose, water stop knob, temperature control knob, neck cushion, hair catcher, and drain cap.



### Set the water temperature for this product to 80°C or less.

Failure to follow this instruction may cause malfunctions or damage in parts such as the stop valve, check valve, flexible pipe and thermostat water valve.



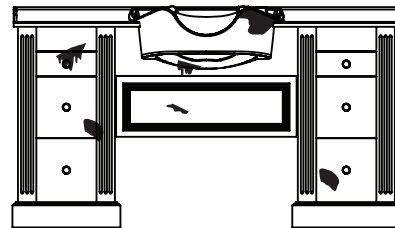
### If chemicals spill on to this product, wipe them dry as soon as possible.

If chemicals such as hair dyes spill on to this product, wipe them dry as soon as possible. Failure to follow this instruction may cause discoloration, deterioration or deformation. Also, if chemicals spill on to the floor, wipe them dry as soon as possible.



### In cold regions, ensure that water is removed.

When using this product in winter in cold regions, open the centre panel and open the check valve filter to remove water and prevent freezing. Failure to follow this instruction may cause water leakage.



### Always use the neck cushion.

Using this product without the neck cushion may apply unnecessary load to the customer's neck, causing injury. Always use the neck cushion.



### Do not cover the drain outlet when this product is not going to be used.

Do not cover the drain outlet with the drain cap, towel, or shampoo cloth after finishing the work. Water may overflow the basin when water is improperly discharged or a small amount of hot water is discharged due to an increase in water pressure during the night, resulting in water leaks.

Be sure to remove the trap cover from the drain outlet when the product is not in use.



### Pay attention to the handling of the neck cushion.

Do not touch or scratch the neck cushion with a cutting tool, such as scissors, or an edged tool (including long nails). Failure to take this precaution may result in scratches or damage to the surface.



### Do not use an abrasive compound.

Do not use an abrasive compound to clean the water faucet fixtures (showerhead, showerhead receptacle, water stop knob, and temperature control knob). Use of an abrasive compound, sponge with abrasive compound, or hard cleaning tools, such as wire wool or a nylon scrubbing brush, may damage the fixture surface.



### Do not use strongly acidic or strongly alkaline cleaning solvents.

Do not use cleaning solvents containing mainly caustic soda (NaOH) or caustic potash (KOH) to clean the drain pipe. Never pour thinners, alcohol, nail polish remover, gasoline or kerosene into the drain.

## ⚠ Caution



### **Do not wet the shower head bracket with water.**

Do not wet the shower head bracket with water. Failure to follow this instruction may cause water leaks.



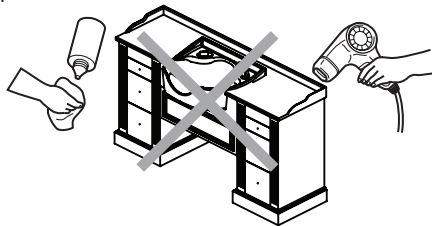
### **Do not strike the resin (plated) parts with a hard object.**

Do not strike the resin (plated) parts, such as the water stop knob and temperature control knob (upper part), with a hard object. Failure to take this precaution may cause flaws or cracks on the plated surface and peeling of plating, thereby resulting in injuries.



### **Do not wipe with chemicals or apply heat.**

Failure to follow this instruction may cause deformation or discoloration. If chemicals spill on to the leather or covers, wipe them dry as soon as possible.



### **Close the water stop knob firmly.**

After use or shampooing is complete, turn the water stop knob firmly and turn the water off completely.

Failure to turn the water off completely may cause water leakage.



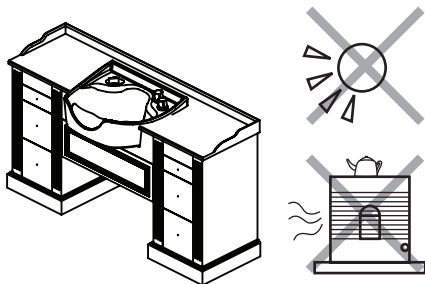
### **After use, wipe water away from all parts other than the basin.**

Leaving the main body with water on it may cause damage, and make dirt difficult to remove.



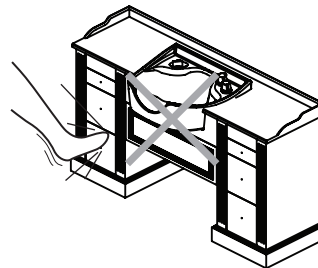
### **Avoid direct sunlight or heat from a stove.**

Avoid direct sunlight or heat from a stove. Failure to follow this instruction may cause discoloration or degradation of the wood body and resin materials.



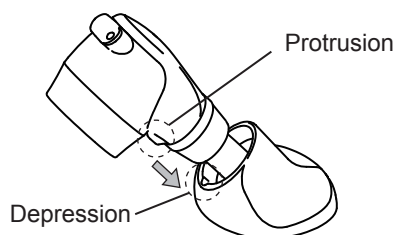
### **Do not hit the wood structure with objects, or kick the wood structure.**

Failure to follow this instruction may cause malfunctions or accidents, leading to damage to the main body.



### **Return the shower head to the shower head bracket so that the spray nozzle faces the basin.**

Failure to follow this instruction may cause water to spill out of the basin or splash on the customer with water.



 **Caution**



**Do not leave the shower head immersed in water.**

If pressure in the water pipes decreases due to repairs that follow water stoppages, the water in the basin may flow back through the shower head.



**Do not drop heavy objects on to the basin.**

Do not place or drop heavy objects on to the basin. Failure to follow this instruction may cause damage such as scratches or cracks to the basin.



**Clean the hair catcher regularly.**

Clean the hair catcher as regularly as possible. Continuing to use the hair catcher without cleaning it may cause the drain to become blocked with hair, leading to water overflowing and unhygienic conditions. Try to clean the hair catcher after each shampooing.



**Pay attention to maintenance methods.**

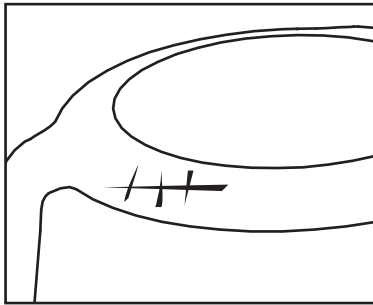
Be sure to execute daily maintenance according to the section "Maintenance" on page. In the case of insufficient or improper maintenance or when periodically replaced parts are not replaced, the customer shall be responsible for any harm, damage, or defects that result; our company shall not assume responsibility.

## Precautions on Resin (Plated) Parts

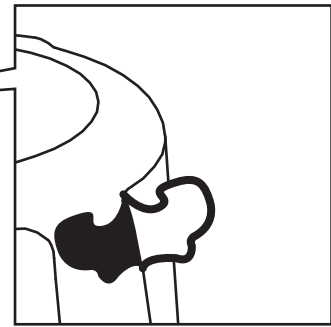
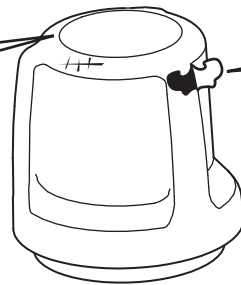
- Resin plating is adopted for part of the water stop knob and the temperature control knob.
  - Plating is a thin, hard metal film applied to the surface that may crack or peel due to corrosion or aged deterioration.
  - Flaws or cracks may occur on the plated surface due to impacts from falling objects.
  - Flaws or cracks may occur on the plated surface when a hard object hits the surface.
  - Peeling of the plating may occur from flaws or cracks on the plated surface.

### **Caution**

Check to ensure that there are no flaws, cracks, or peeling of the plated surface of the knobs before using the product. If peeling is observed, immediately stop using the product and contact your closest dealer or Takara Belmont. Continued operation may result in injuries.



Example of flaws on the plated surface

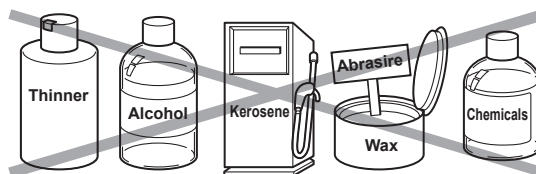


Example of peeling of the plated surface

## Care and Maintenance

### **Caution**

Never use volatile chemicals such as thinners, alcohol, gasoline or kerosene, cleaning products such as abrasive wax, a sponge with a scourer, detergents that include organic solvents, acidic, alkaline or chlorine-based detergents, or scouring pads. Failure to follow this instruction may cause scratches or discoloration.



- Dust the surface and remove stain.

Wipe the surface with soft and dry cloth. If the stain is hard to remove or oil is spotted, wipe with cloth soaked in diluted neutral detergent and wringed. Then wipe it with dry cloth.

Do not use volatile chemical such as thinner, alcohol, gasoline, kerosene, or abrasive, wax, abrasive sponges and scrubbing brushes, etc.

**TAKARA  
BELMONT**

TAKARA BELMONT (UK) LTD.  
BELMONT HOUSE, ONE ST. ANDREWS WAY, BOW  
LONDON E3 3PA, UNITED KINGDOM  
[http:// www.takarahairdressing.co.uk](http://www.takarahairdressing.co.uk)  
TEL: +44 (0)20 7515 0333